

SIGNAL SELECTOR MODEL OCS-322B

Overview

Audio signal switcher with 10 input channels and 24 output channels.

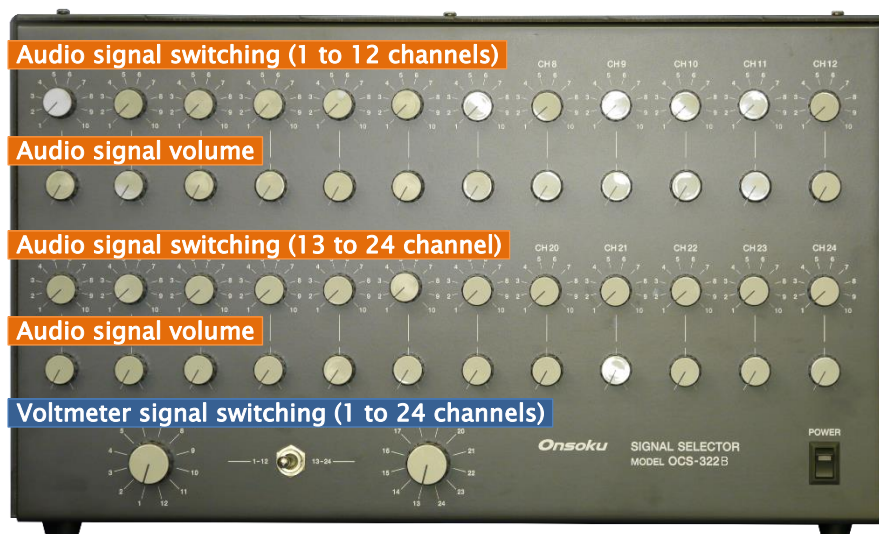
This product combines a voltmeter switcher with 24 input channels and 1 output channel.

The audio signal switch is a single-ended input/output, but the voltmeter signal switch is a differential input, so Differential output power amplifiers can also be used.

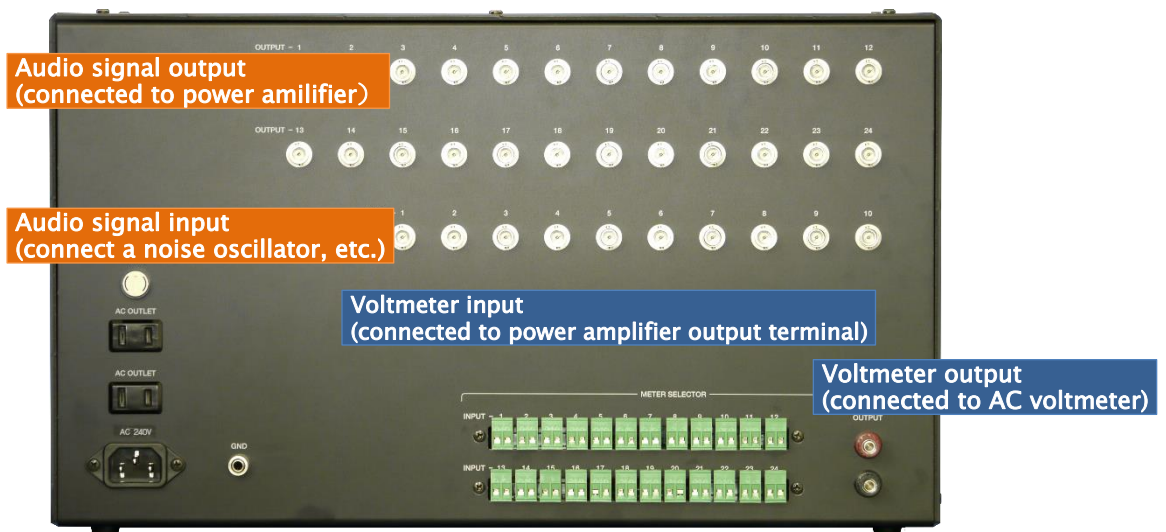
Can be used for continuous testing of speakers (customer must provide power amplifier), etc.

Apperance

(front)



(rear)



Main specifications

[Audio signal switching]	
Channels	Input: 10, Output: 24, Single-ended input / output
Input / Output gain	0dB
Maximum input	7Vrms
Input / Output terminal	Input: BNC receptacle, Output: BNC receptacle
[Voltmeter signal switching]	
Channels	Input: 24, Output: 1, Differential input / output
Input / Output terminal	Input: Euroblock (2.54mm pitch, input plug included) Output: Binding post (19mm width)
[Operating temperature and humidity range]	5°C to 40°C / 5% to 90% (no condensation)
[Power supply / Power consumption]	AC 100, 110, 120, 220, 230, 240V \pm 10% / Approx. 10VA
[Case dimensions / mass]	480(W) \times 250(H) \times 300(D) Not including protrusions / Approx. 7.5kg
[Accessories]	Power cord ... 1 pc

Specifications may change for improvement.

Onsoku

©2024 Onsoku Electronic Corporation
<http://www.onsoku.co.jp>